

POWER DISCRETES**Description**

Standard recovery 30A three phase full wave bridge rectifier.

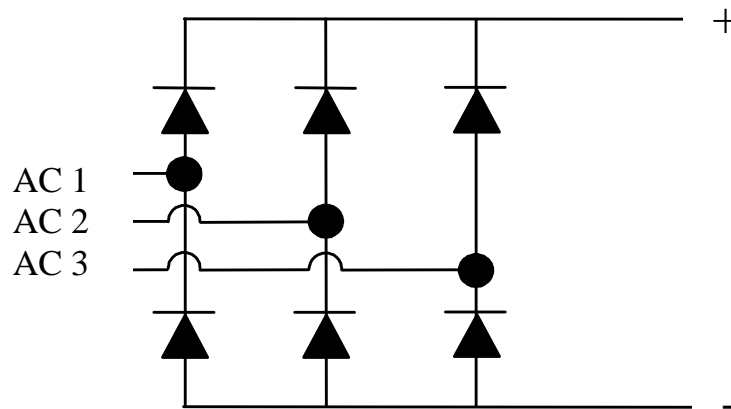
Features

- ◆ Low forward voltage drop
- ◆ Low reverse leakage
- ◆ Black anodized aluminum case
- ◆ Low thermal resistance $< 1.2^{\circ} \text{ C/W}$
- ◆ Hi-Rel. screened version is similar to Mil-PRF-19500/483
- ◆ To order Hi-Rel. version place HR in front of the product name

Applications

Conversion of 3-phase power to DC power where high power density and rugged design is required. Typical industries are:

- ◆ Aerospace
- ◆ Military
- ◆ High end industrial

Block Diagram

POWER DISCRETES

Absolute Maximum Ratings

Part Number	Working Reverse Voltage	Average Rectifier Current $I_{F(AV)}$						1 Cycle Surge Current I_{FSM} @ $t_p = 8.3mS$	
		@ case temperature			@ ambient temperature			25°C	100°C
		55°C	100°C	125°C	25°C	55°C	100°C		
Volts	Amps	Amps	Amps	Amps	Amps	Amps	Amps	Amps	
SC6BA2	200	30	20	10	10	7	5	250	125
SC6BA4	400								
SC6BA6	600								
SC6BA8	800								

Electrical Specifications

Part Number	Reverse Leakage Current I_R @ V_{RWM}		Maximum Forward Voltage V_F @ 39A/leg @ 25°	Maximum Reverse Recovery Time ⁽¹⁾ T_A @ 25°C	Maximum Operational and Storage Temperatures T_{OP} T_{STG}
	@ 25°C	@ 100°C			
	µA	µA			
SC6BA2	1.0	100	1.3	2.0	-65 to +150
SC6BA4					
SC6BA6					
SC6BA8					

(1) Measured on discrete devices prior to assembly

Ordering Information

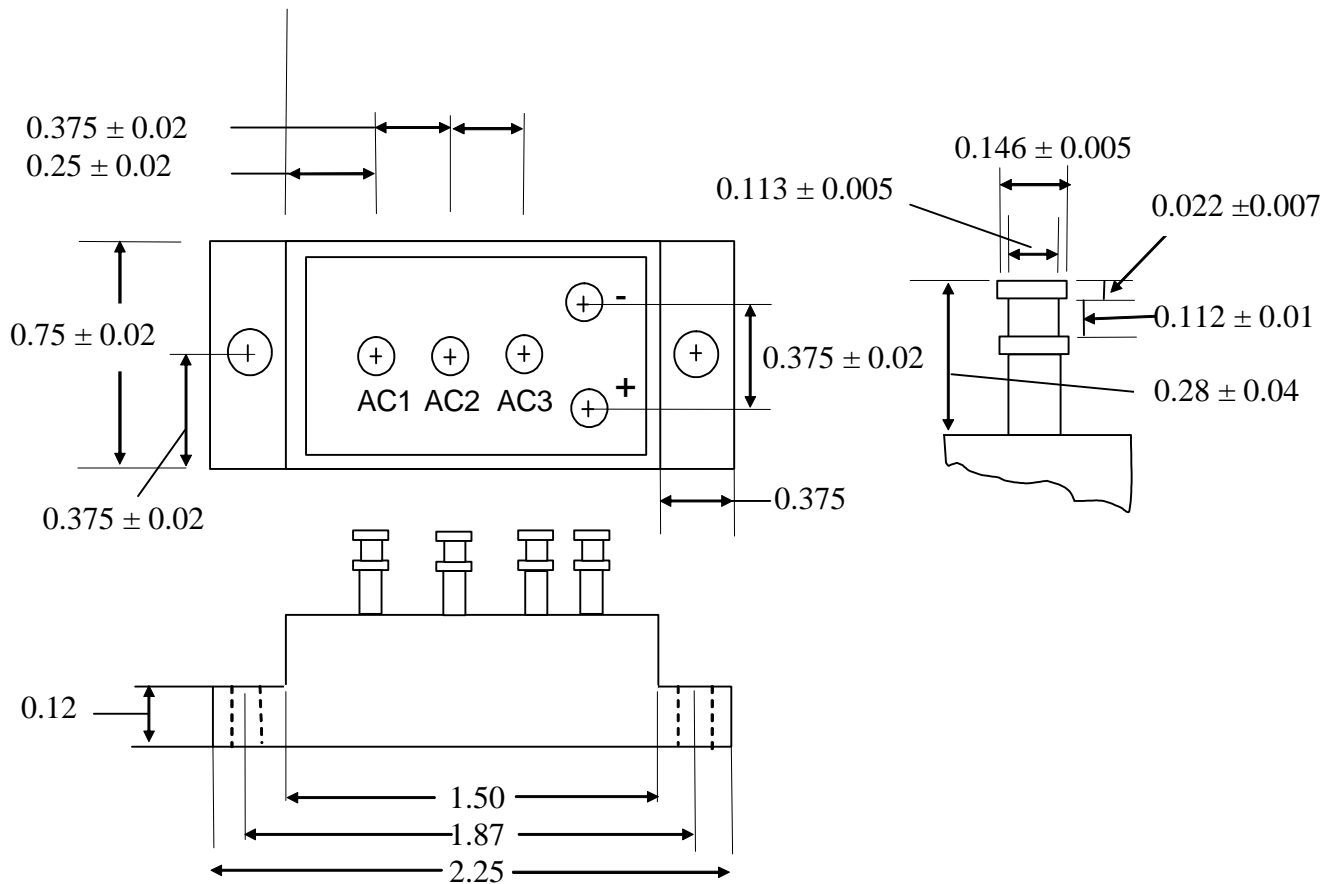
Part Number	Description
SC6BA2, SC6BA4, SC6BA6, SC6BA8 ⁽¹⁾	Standard Recovery 3-Phase full wave bridge rectifier assembly
HRSC6BA2, HRSC6BA4, HRSC6BA6, HRSC6BA8 ⁽¹⁾⁽²⁾	

Note:

- (1) Available in trays. Please consult factory for quantity.
- (2) Hi-Rel. screened version is similar to Mil-PRF-19500/483.

POWER DISCRETES
Outline Drawing

(Dimensions in inches)



Note: Unless otherwise stated tolerance is ± 0.03

Contact Information

Semtech Corporation
 Power Discretes Products Division
 200 Flynn Road, Camarillo, CA 93012
 Phone: (805)498-2111 FAX (805)498-3804