

January 8, 1998

TEL:805-498-2111 FAX:805-498-3804 WEB:http://www.semtech.com

HIGH VOLTAGE, HIGH DENSITY, FAST RECOVERY MODULAR RECTIFIER ASSEMBLY

QUICK REFERENCE DATA

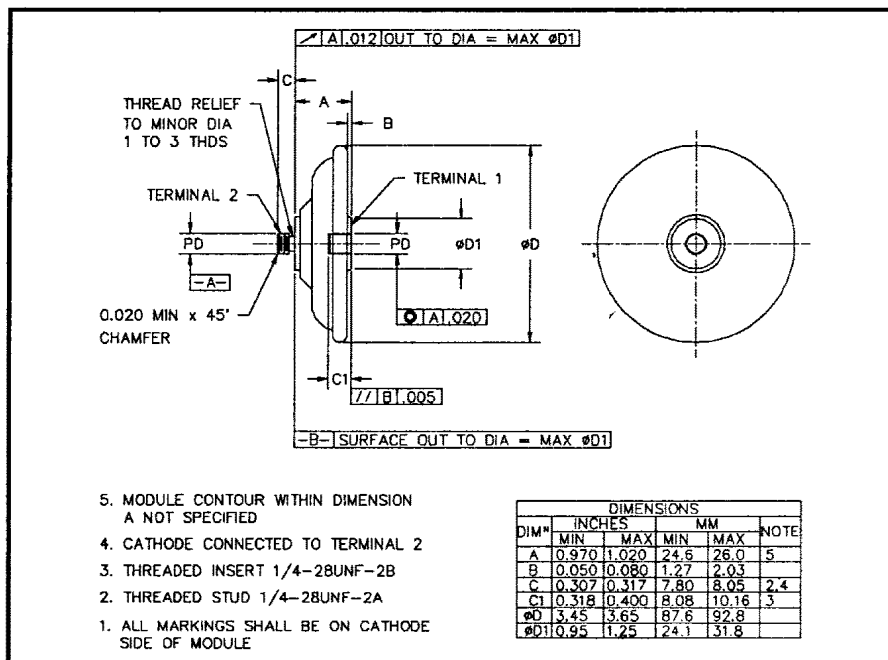
- Low reverse recovery time
- Low reverse leakage current
- High thermal shock resistance
- Modular construction
- Low distributed capacitance

- $V_R = 5000 - 10000V$
- $I_F = \text{to } 4.0A$
- $I_{FSM} = 80A$
- $t_{rr} = 300nS$

ABSOLUTE MAXIMUM RATINGS

Device Type	Working Reverse Voltage V_{RWM}	Rectified Current $I_{F(AV)}$			1 Cycle Surge Current I_{FSM} $t_p = 8.3mS$ @ T_{jMAX}	I^2t $t_p = 8.3mS$
		air 25 °C	air 100 °C	in still oil @ 55 °C		
		Volts	Amps	Amps		
SHVS5F	5000	2.75	1.6	4.0	80	24
SHVS7.5F	7500	2.0	1.2	3.2	80	24
SHVM10F	10000	1.9	1.1	2.9	80	24

MECHANICAL



January 8, 1998

ELECTRICAL CHARACTERISTICS

Device Type	Maximum Reverse Leakage Current $I_R @ V_{RWM}$		Maximum Reverse Recovery Time $t_{rr} @ 25^\circ\text{C}$	Maximum Forward Voltage $V_F @ 25^\circ\text{C}$ @3A
	@ 25 °C	@ 100 °C		
	μA	μA	nS	Volts
SHVS5F	1.0	10.0	300	6.5
SHVS7.5F	1.0	10.0	300	10.4
SHVM10F	1.0	10.0	300	13

1. Measured on discrete devices prior to assembly

Operating temperature range -55°C to $+150^\circ\text{C}$
Storage temperature range -55°C to $+150^\circ\text{C}$

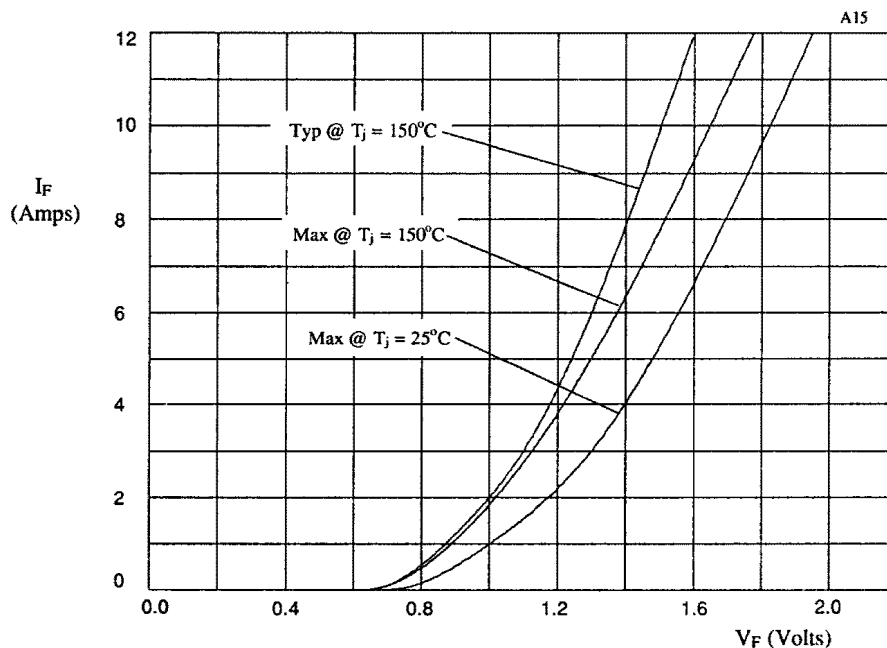


Figure 1. Forward voltage drop as a function of forward current
(See TABLE 1)

TABLE 1

DEVICE	X-AXIS
SHVS5F	x5
SHVS7.5F	x8
SHVS10F	x10